



**Electrolux**  
PROFESSIONAL

**Handling System for Hood type  
Pre-wash Infill Top with Bowl Right  
to Left, 1000mm**

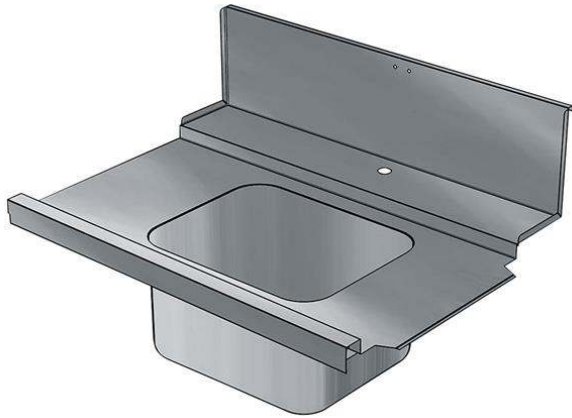
ITEM # \_\_\_\_\_

MODEL # \_\_\_\_\_

NAME # \_\_\_\_\_

SIS # \_\_\_\_\_

AIA # \_\_\_\_\_



865317 (BHHPIB10R)

Prewash infill Top with bowl,  
r>, 1000mm

**Short Form Specification**

**Item No.** \_\_\_\_\_

For hood type dishwashers. Constructed in 304 AISI stainless steel with back splash mm250h. Bowl size mm500x400x250h with overflow pipe and drain hole. Basket direction: from right to left.

**Main Features**

- To be secured to the dishwasher and fitted to the receiving and sorting tables at the other end.
- Designed for 500x500 mm dishwashing racks.

**Construction**

- Deep anti-drip profiles completely folded with lower edge for safe and easy cleaning.
- All surfaces smooth with polished finish.
- 304 AISI stainless steel construction throughout.
- Included splashback to prevent water spatter.

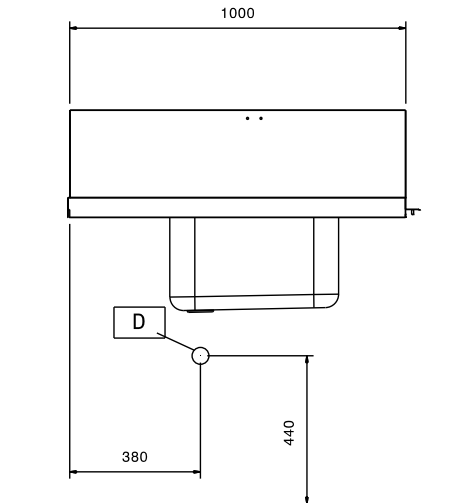
**Optional Accessories**

- Single plastic drain syphon 2 " for Sinks PNC 895313

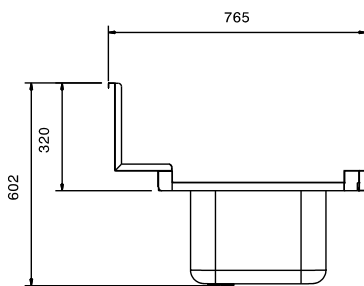
**APPROVAL:** \_\_\_\_\_



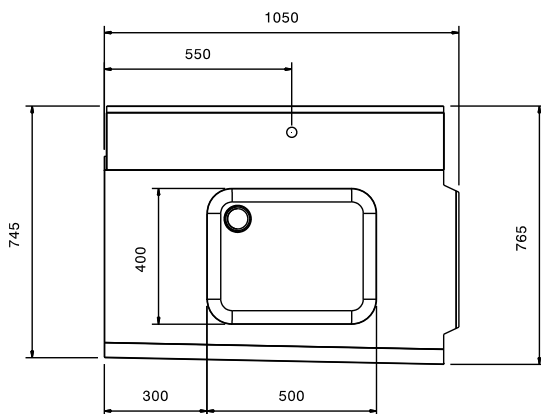
Front



Side



Top



**Key Information:**

**External dimensions, Width:**  
865317 (BHHPIB10R) 1050 mm  
**External dimensions, Depth:** 765 mm  
**External dimensions, Height:** 600 mm  
**Net weight:** 8 kg  
**Basin dimensions:** 500x400x300h  
**Feeding direction:** from Right to Left

Handling System for Hood type  
Pre-wash Infill Top with Bowl Right to Left, 1000mm

The company reserves the right to make modifications to the products without prior notice. All information correct at time of printing.